

Electrode holders

DE 2200 / DE 2300 / DE 2400 / DE 2500

The tough classics ...

The electrode holders are used for manual electrode welding. Manual electrode welding is one of the oldest and most proven arc welding operations that are still applied today. It stands out due to relatively low investment needs as well as its universal application possibilities. KURT HAUFER electrode holders "DE" are million-fold proven for decades and due to their extremely tough construction they are the optimum tool for the "outdoor professional" – amongst others in shipyards, pipeline construction and bridge building.

Besides the traditional version for connection via cable shoe the new "K"-series offers the possibility of direct crimp connection with the bare welding cable.

Special features:

- High-tensile, heat insulated handle
- Mechanical and thermal heavy-duty insulating material
- Safe electrode voltage in four chip flutes
- Big electrode and welding cable connection area

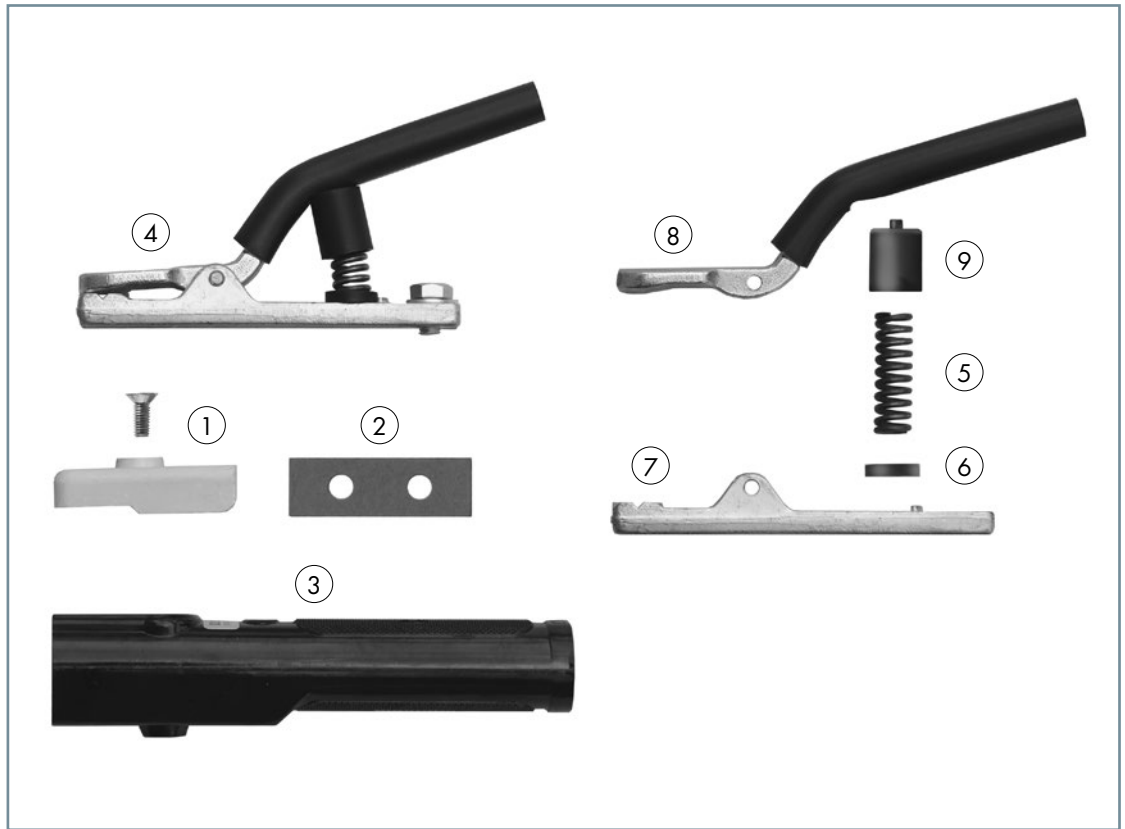


Technical data

Type	Rating		Electrodes-Ø	Welding cable	Connection bolt ²
	at 60% duty cycle	at 35% duty cycle			
DE 2200 / K ¹	200 A	250 A	2.0-4.0 mm	25 / 35 mm ²	M8
DE 2300 / K ¹	300 A	400 A	2.0-6.3 mm	35 / 70 mm ²	M8
DE 2400 / K ¹	400 A	500 A	4.0-8.0 mm	50 / 95 mm ²	M10
DE 2500 / K ¹	500 A	600 A	4.0-10.0 mm	70 / 120 mm ²	M10

¹ K=Clamp-connection via ferrule

² for cable shoe



Electrode holder cpl.

Type	Part-No.
Electrode holder DE 2200	512.D060
Electrode holder DE 2300	512.D070
Electrode holder DE 2400	512.D080
Electrode holder DE 2500	512.D090
Electrode holder DE 2200 K	512.D470
Electrode holder DE 2300 K	512.D471
Electrode holder DE 2400 K	512.D472
Electrode holder DE 2500 K	512.D480

Wear parts

Pos.	Description	Part-No.			
		DE 2200 / K	DE 2300 / K	DE 2400 / K	DE 2500 / K
1	Insulating flange (2 pcs.)	512.D021	512.D031	512.D041	512.D091
2	Insulating plate	-	512.D032	512.D032	512.D032
3	Handle	512.D483.1	512.D486.1	512.D145	512.D145
4	Front part	512.D268	512.D384	512.D272	512.D274
not ill.	Front part "K"	512.D473	512.D474	512.D475	512.D481
5	Pressure spring	512.D025	512.D035	512.D035	512.D035
6	Cap (5 pcs.)	512.D026	512.D036	512.D036	512.D036
7	Bottom part	512.D276	512.D278	512.D280	512.D282
not ill.	Bottom part "K"	512.D416	512.D418	512.D422	512.D424
8	Lever	512.D028	512.D201	512.D048	512.D098
9	Insulating cap	512.D029	512.D039	512.D039	512.D039
not ill.	Ferrule "K"	511.0048	511.0065	511.0104	511.0104